



Hazardous Area FM Approved Explosion Proof Silicone Rubber Heater Blankets...

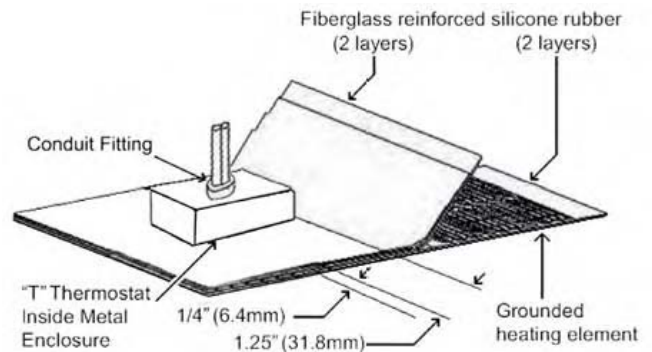
Heating of containers in hazardous area projects. Safely heat , flammable liquids, low-temperature ovens, process vats and dip tanks, storage tanks, hoppers, dry storage bins & coal silos

Inquiries & Technical Support 1-877-674-9744



sales@nphheaters.com

SRX Hazardous-Area Silicone Rubber Heating Blankets



FM APPROVED Class I Division 2 Groups A, B, C, and D, Class II Division 2, Groups F and G

Product Highlights: *Hazardous Area FM Approved-Silicone Rubber Heating Blankets*

- Hazardous-area rated
- Suitable for large range of surfaces like tanks, hoppers, conveyors, silos, etc.

- Exceptional durability
- Moisture and chemical resistant
- Easy peel 'n stick pressure sensitive adhesive backing option
- Grounded heating element meets NEC 427.23

Specifications: Explosion Proof FM Approved-Silicone Rubber Heating Blankets

- 0.75" (19mm) conduit fitting
- High-limit thermostat designed to keep blanket below NEC Article 500 T-rating

T Rating	NEC Temperature	Actual High Limit Thermostat
T3	392°F (200°C)	292°F (145°C)
T4A	248°F (120°C)	158°F (70°C)

- Silicone rubber power leads 12" (305mm) long
- Power density of 2.5 watts/in² (.004 watts/mm²)
- Patented grounded heating element is laminated between two layers of 23 mil and two layers 25 mil fiberglass reinforced silicone rubber
- Nominal silicone rubber density of 26 oz/yd² (881 grams/ m²) per layer
- Exposure temperature range: -60°F to 400°F (-51°C to 204°C)
- Dielectric strength of over 2000 volts
- Moisture, chemical, and radiation resistant
- Suitable for use on metal surfaces
- 120 or 240VAC

Ordering Information: Silicone Blankets FM Approved Class 1, Div 2 Blankets

Standard Sizes and Wattage

Width in (mm)	Length in (mm)	Total Watts
6 (152)	12 (305)	180
6 (152)	24 (610)	360
12 (305)	12 (305)	360
12 (305)	24 (610)	720
24 (610)	24 (610)	1440

Part Number Matrix

SRX 06 12 180 1 P T3

Product Series

SRX – Hazardous-Area Heating Blanket _____

Width (inches) _____

Length (inches) _____

Wattage _____

Voltage: 1-(120), 2-(240) _____

Pressure Sensitive Adhesive: _____

P- (with), blank- (without)

T-rating: _____

T3- (T3), T4A- (T4A)

Note : Plug not included



**National Plastic Heater,
Sensor and Control Inc.**

sales@nphheaters.com

Toll Free: 1-877-674-9744 (Canada and USA)

www.kapton-silicone-flexible-heaters.com

Visit our other sites below...

www.industrial-process-heaters.com

www.nphheaters.com

Hazardous Area FM Approved Silicone Blankets, Explosion Proof Silicone Heater Blankets,
FM Approved Class 1, Div 2 Blankets, Toronto, Canada

